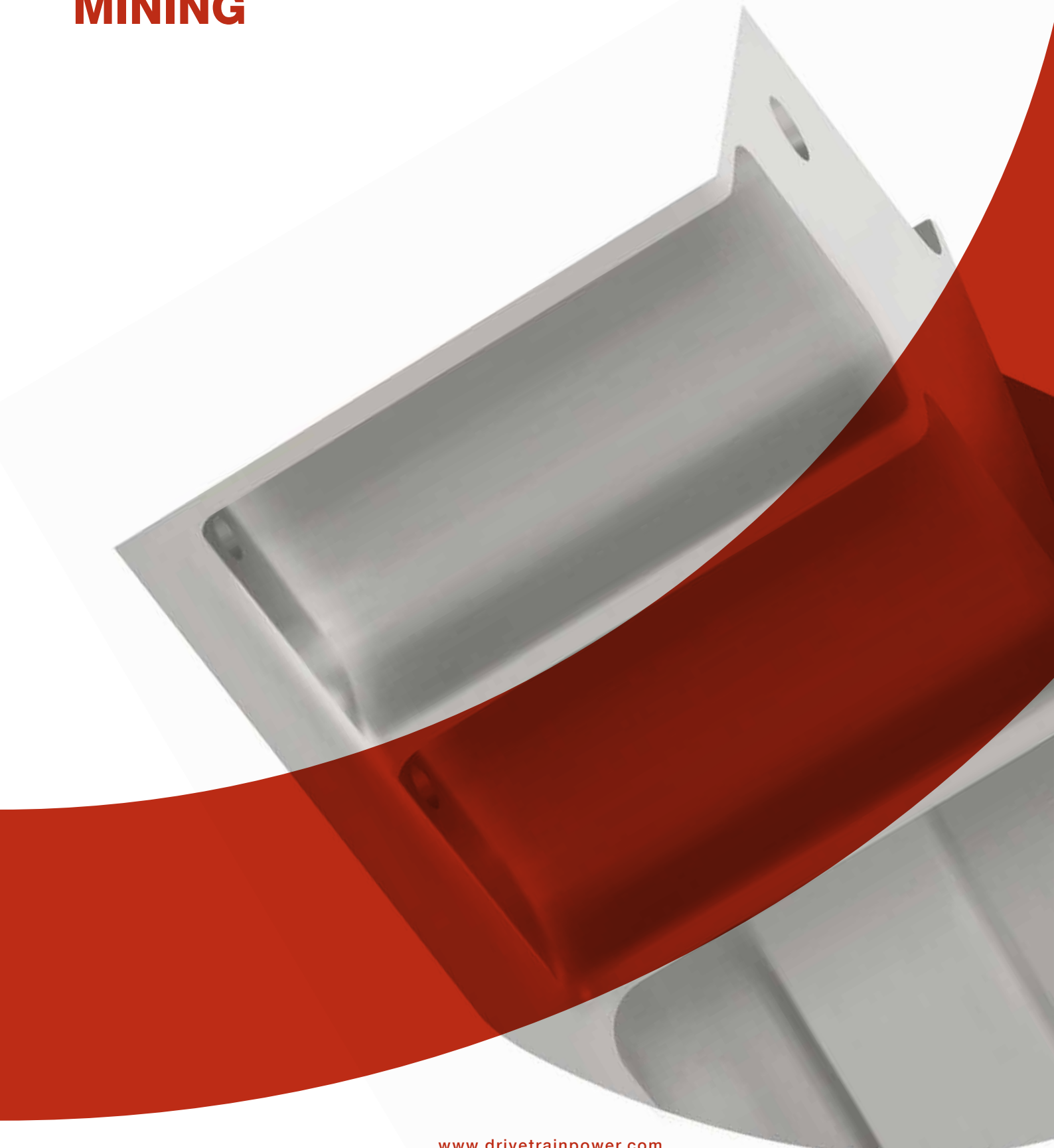


HARD ROCK MINING



DRIVETRAIN VELOCITY RELIABILITY VISIBILITY

Imagine working with an organisation that delivers products and solutions with velocity, whose reliability extends across every sector of their professional competency, and whose operational systems give you visibility on key elements of the process. That is excellence in execution. That is Drivetrain Power and Propulsion.

We are an international integrated organisation operating on 5 continents. Our exceptional depth of technical ability spans the complete engineering product lifecycle: design, application engineering, troubleshooting, supply and service, and a worldwide through-life support programme. Our capabilities, and our understanding of the crucial need for timely delivery, have created global demand for our expertise on heavy mobile powertrain systems, large frame turbochargers, diesel and gas power generation and compression.

Our expertise is applied across three industry streams:

- Mobile Powertrain
- Power and Compression
- HS Turbochargers

WHAT WE DO IN HARD ROCK MINING

With over 25 years experience in hard rock mining, Drivetrain brings to your business comprehensive engineering solutions for maintenance, repair, and overhaul (MRO), and genuine parts; and support for hard rock mining's leading engine and powertrain brands. Our through-life support capacity is a valuable addition to your operations, and as the authorised service centre throughout Australasia for Dana Spicer Off-Highway and AxleTech, we are dedicated to providing tangible technical and product value.

Our commitment to support your business means we are focused on minimising critical equipment downtime. Our processes are regularly reviewed to ensure you receive the best possible responsiveness, and our investment in additional inventory has significantly improved the availability of genuine spare parts. The further expansion of our service exchange programme throughout Australasia has been instrumental in reducing equipment downtime. These are just some of the ways we are helping you meet your performance objectives.

OUR HARD ROCK MINING SERVICES

- Through-life support for Dana Spicer Off-Highway powertrain components.
- Through-life support for other brands, including AxleTech, Kessler, Fabco, Comer and Carraro.
- Technical support, troubleshooting, and rebuilding of; converters, transmissions, axles, transfer cases, and electronic shift controls.
- Driveshaft sales and support
- Engine MRO
- Component service exchange
- Application engineering for, and approval of, powertrain systems for new mobile equipment.
- Supply of genuine spare parts to the aftermarket.

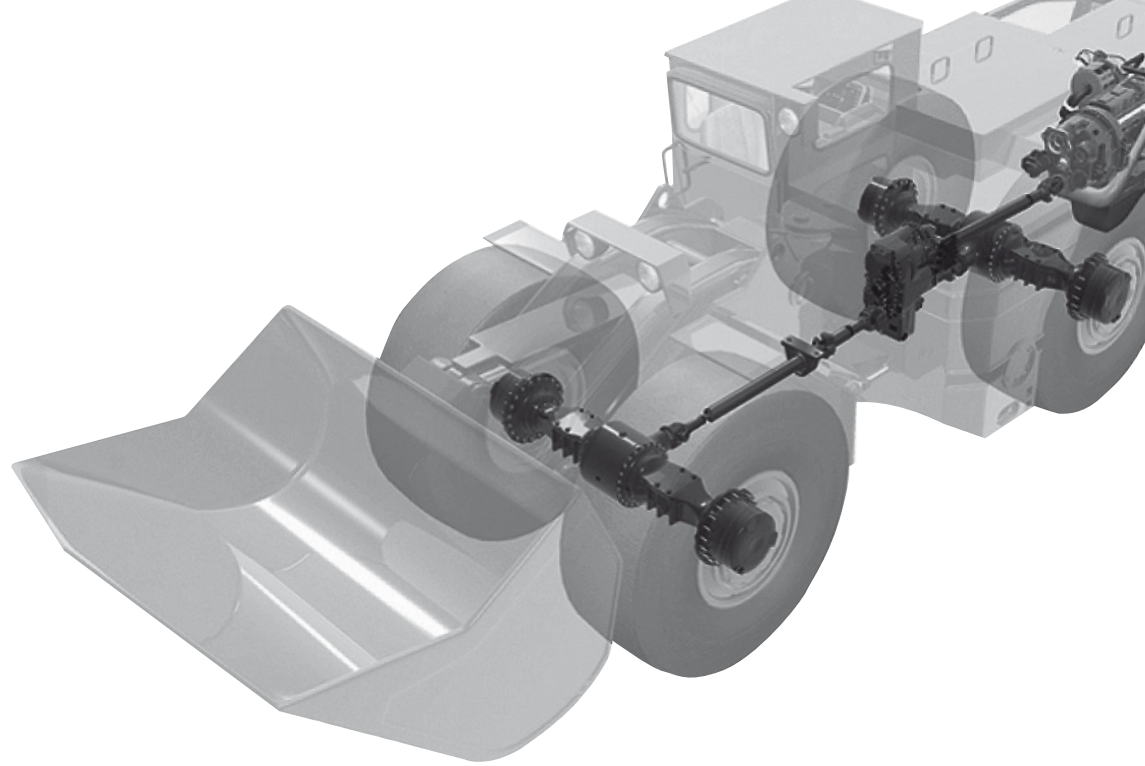


AxleTech[®]
International
A GENERAL DYNAMICS COMPANY



**Drivetrain is a
key partner
with AxleTech
in Australasia,
providing OEM
and aftermarket
technical and
sales support.**

Drivetrain is the **Authorised Australasian Distributor** and service centre for **Dana Spicer Off-Highway**.



DRIVETRAIN IMPROVED PERFORMANCE

Your hard rock mining needs have shaped our focus:

Velocity

- Reducing your equipment downtime is our priority and the focus of our business remodelling and improvements.
- We have recently overhauled our processes, and are making a significant investment in inventory, so genuine spare parts are available when you need them.
- We are further expanding our service exchange programme across Australasia to minimise your equipment downtime.
- The scale of our service network extends to where hard rock mining customers need us.
- Our technical support, troubleshooting capability, and fault diagnostics all contribute to the reduction of your equipment downtime.

Reliability

- As the authorised OEM service centre your needs are being addressed by factory trained technicians, working with genuine parts, and using factory certified testing equipment.
- Our best-practice policies see us operating with the latest specifications, and all processes are underpinned by our Integrated Management Systems for quality, safety, and environment.
- Our depth of knowledge and technical capability draws on 25 years of experience as an engineering organisation with a breadth of professional engineering resources.

Visibility

- Our systematic management processes allow full visibility, so you are in touch with a service job's progress at each milestone.
- Our reporting processes set an industry benchmark of professionalism and integrity, offering transparency throughout our quality procedures, including detailed quality service reports and status reporting.

“Drivetrain always come up with the right answer whenever we have a technical question. Our demand is difficult to manage and it’s hard to predict our requirements, but Drivetrain work with us and always go the extra mile to deliver.”

*- Brett Shapcott
Service Supervisor
ATS Mining Maintenance*

Talk to us today about how Drivetrain can help your business. Contact your local branch or email info@drivetrainpower.com

AUSTRALIA SALES AND SERVICE

ADELAIDE

1222 Old Port Road
Royal Park SA 5014

T +61 (0)8 8347 8400

F +61 (0)8 8347 8499

BRISBANE

19 Graystone Street
Tingalpa QLD 4173

T +61 (0)7 3393 9799

F +61 (0)7 3393 9699

MACKAY

14 Elvin Street
Paget QLD 4740

T +61 (0)7 4952 3611

F +61 (0)7 4952 4014

MELBOURNE

53 - 57 Abbott Road
Hallam VIC 3803

T +61 (0)3 8792 6222

F +61 (0)3 8792 6200

NEWCASTLE

91 Glenwood Drive
Thornton NSW 2322

T +61 (0)2 4966 1776

F +61 (0)2 4966 3352

PERTH

627 - 635 Bickley Road
Maddington WA 6109

T +61 (0)8 9251 8067

F +61 (0)8 9452 3598

SYDNEY

12 Loyalty Road
North Rocks NSW 2151

T +61 (0)2 8838 5500

F +61 (0)2 8838 5501

AUSTRALIA HEAD OFFICE

SYDNEY

Level 8, 15 Talavera Road
Macquarie Park NSW 2113

T +61 (0)2 9805 4000

F +61 (0)2 9805 4055

NEW ZEALAND

AUCKLAND

16 Sir William Avenue
East Tamaki Auckland

T +64 (0)9 270 1081

F +64 (0)9 270 0058

PHILIPPINES

MANILA

325 G. Araneta Avenue
Birgy Santol, Quezon City
Metro Manila 1113

T +63 2 714 5820

F +65 2 714 6850

SINGAPORE

SINGAPORE

#01-34/35 Enterprise One
1 Kaki Bukit Road 1
Singapore 415936

T +65 6749 5117

F +65 6742 9722

SWEDEN

HEDEMORA

Sturegatan 2
Hedemora 776 35

T +46 225 595 800

F +46 225 595 801

USA

OHIO

8445 Rausch Drive
Plain City 43064

T +1 614 733 0940

F +1 614 873 8252

FLORIDA

Representative Office
T +1 614 736 3783
F +1 614 873 8252

BRAZIL

SAO PAULO

Representative Office
T +55 (11) 9176 1031

info@drivetrainpower.com

www.drivetrainpower.com