

SOFT ROCK MINING



DRIVETRAIN VELOCITY RELIABILITY VISIBILITY

Imagine working with an organisation that delivers products and solutions with velocity, whose reliability extends across every sector of their professional competency, and whose operational systems give you visibility on key elements of the process. That is excellence in execution. That is Drivetrain Power and Propulsion.

We are an international integrated organisation operating on 5 continents. Our exceptional depth of technical ability spans the complete engineering product lifecycle: design, application engineering, troubleshooting, supply and service, and a worldwide through-life support programme. Our capabilities, and our understanding of the crucial need for timely delivery, have created global demand for our expertise on heavy mobile powertrain systems, large frame turbochargers, diesel and gas power generation and compression.

Our expertise is applied across three industry streams:

- Mobile Powertrain
- Power and Compression
- HS Turbochargers

WHAT WE DO IN SOFT ROCK MINING

With over 25 years experience in soft rock mining, Drivetrain offers a range of heavy powertrain products and services including new axles, transmissions, and converters to the leading underground machine OEMs in Australasia.

We provide maintenance, repair, and overhaul (MRO) support for soft rock mining's top engine and powertrain brands. Our through-life support capacity is a valuable addition to your operations, and as the Australasian distributor and authorised service centre for Dana Spicer Off-Highway, we are dedicated to providing tangible value via technical support and product accessibility. Our deep capability for application engineering and technical integration with Dana assists your product development programmes and special projects.

Our processes have been further overhauled to give you the best possible responsiveness. We have made a significant investment in inventory, resulting in improved lead times, and we have expanded our service exchange programme throughout Australasia to reduce machine downtime. We are a global organisation based in Australia with the immediate capability of sales and customer service teams in key geographic locations to support your mining equipment and technology needs - where you need them, when you need them.

OUR SOFT ROCK PRODUCTS

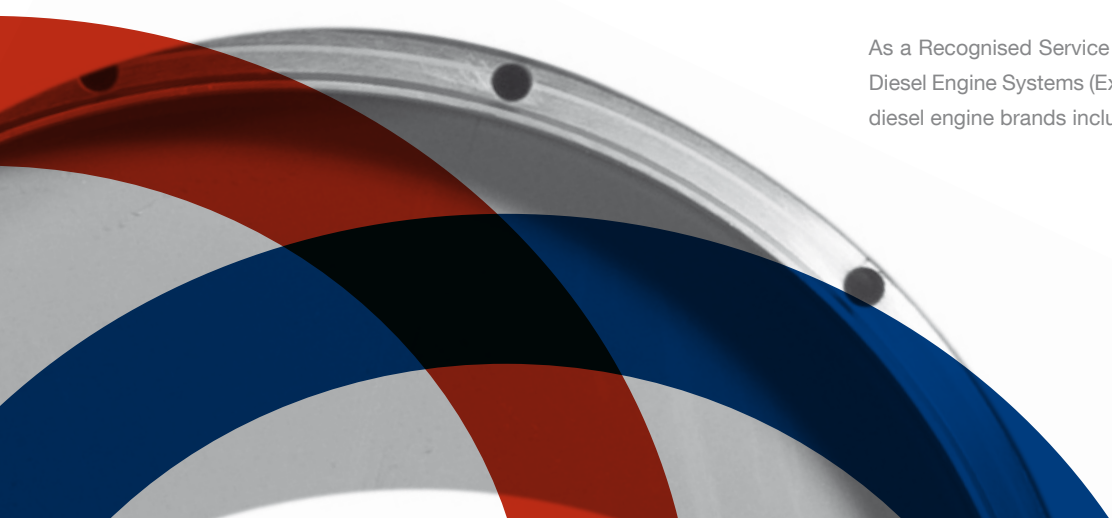
Off-highway powertrain components and genuine spare parts including:

- Axles, differentials, and posi-stop brake assemblies
- Transmissions
- Torque converters
- Driveshafts

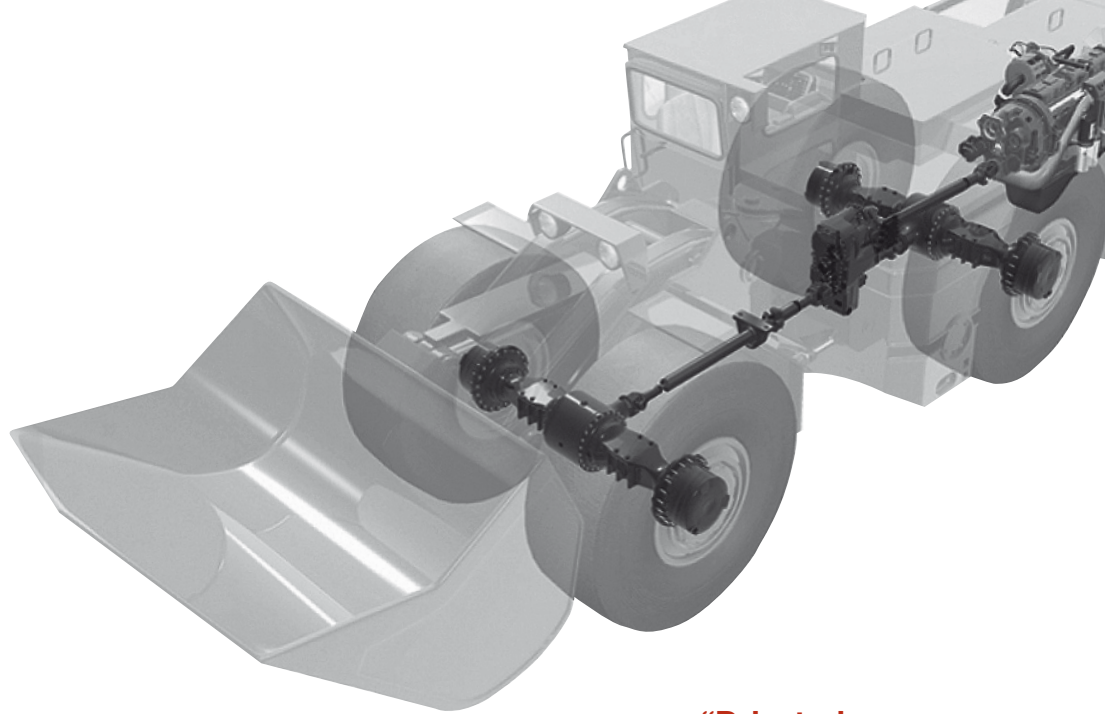
OUR SOFT ROCK SERVICES

- Authorised service centre for Dana Spicer Off-Highway.
- Through-life service support for all heavy driveline components for Dana Spicer Off-Highway and other brands including Kessler and ZF.
- Application engineering for, and approval of, powertrain systems for new mobile equipment.
- Component service exchange.
- MRO of mining equipment diesel engines.

As a Recognised Service Facility (RSF) for Explosion Protected Diesel Engine Systems (ExDES), we provide MRO for the leading diesel engine brands including Caterpillar, Perkins, and Hino.



**Drivetrain is the
Authorised
Australasian
Distributor and
service centre
for Dana Spicer
Off-Highway.**



**“Drivetrain are a very
reliable and experienced
supplier, and we rely
heavily on them to provide
quick turn-around repairs
on a regular basis.
To BIS, quality is
paramount and Drivetrain
consistently provide this
for us. A solid partner.”**

- Jeff Schumacher

Technical Services Manager

BIS Industrial Logistics

DRIVETRAIN IMPROVED PERFORMANCE

Your soft rock mining needs have shaped our focus:

Velocity

- We continue to make significant investment in inventory so spare parts are available when you need them.
- The scale of our service network extends to where soft rock mining customers need us.
- We are further expanding our service exchange programme across Australasia.
- Our technical support, troubleshooting capability, and fault diagnostics all contribute to the reduction of your equipment downtime.

Reliability

- Our technical expertise, application engineering capabilities, and strong OEM relationships add value to your business by supporting your product development.
- As the authorised OEM service centre your needs are being addressed by factory trained technicians working with genuine parts, and using factory certified testing equipment.
- Our best-practice policies see us operating with the latest specifications, and all processes are underpinned by our Integrated Management Systems, including quality, safety, and environmental.
- Our depth of knowledge and technical capability draws on 25 years of experience as an engineering organisation with a breadth of professional engineering resources.
- Our customer driven workshop processes are proven to uphold standards of excellence.

Visibility

- Our systematic management processes allow full visibility, so you are in touch with a service job's progress at each milestone.
- We have a long tradition of after-sales support and premium customer service.
- Our reporting processes set an industry benchmark of professionalism and integrity, offering transparency throughout our quality procedures including detailed quality service reports and status reporting.

Talk to us today about how Drivetrain can help your business. Contact your local branch or email info@drivetrainpower.com

AUSTRALIA SALES AND SERVICE

ADELAIDE

1222 Old Port Road
Royal Park SA 5014

T +61 (0)8 8347 8400

F +61 (0)8 8347 8499

BRISBANE

19 Graystone Street
Tingalpa QLD 4173

T +61 (0)7 3393 9799

F +61 (0)7 3393 9699

MACKAY

14 Elvin Street
Paget QLD 4740

T +61 (0)7 4952 3611

F +61 (0)7 4952 4014

MELBOURNE

53 - 57 Abbott Road
Hallam VIC 3803

T +61 (0)3 8792 6222

F +61 (0)3 8792 6200

NEWCASTLE

91 Glenwood Drive
Thornton NSW 2322

T +61 (0)2 4966 1776

F +61 (0)2 4966 3352

PERTH

627 - 635 Bickley Road
Maddington WA 6109

T +61 (0)8 9251 8067

F +61 (0)8 9452 3598

SYDNEY

12 Loyalty Road
North Rocks NSW 2151

T +61 (0)2 8838 5500

F +61 (0)2 8838 5501

AUSTRALIA HEAD OFFICE

SYDNEY

Level 8, 15 Talavera Road
Macquarie Park NSW 2113

T +61 (0)2 9805 4000

F +61 (0)2 9805 4055

NEW ZEALAND

AUCKLAND

16 Sir William Avenue
East Tamaki Auckland

T +64 (0)9 270 1081

F +64 (0)9 270 0058

PHILIPPINES

MANILA

325 G. Araneta Avenue
Birgy Santol, Quezon City
Metro Manila 1113

T +63 2 714 5820

F +65 2 714 6850

SINGAPORE

SINGAPORE

#01-34/35 Enterprise One
1 Kaki Bukit Road 1
Singapore 415936

T +65 6749 5117

F +65 6742 9722

SWEDEN

HEDEMORA

Sturegatan 2
Hedemora 776 35

T +46 225 595 800

F +46 225 595 801

USA

OHIO

8445 Rausch Drive
Plain City 43064

T +1 614 733 0940

F +1 614 873 8252

FLORIDA

Representative Office

T +1 614 736 3783

F +1 614 873 8252

BRAZIL

SAO PAULO

Representative Office

T +55 (11) 9176 1031

info@drivetrainpower.com
www.drivetrainpower.com